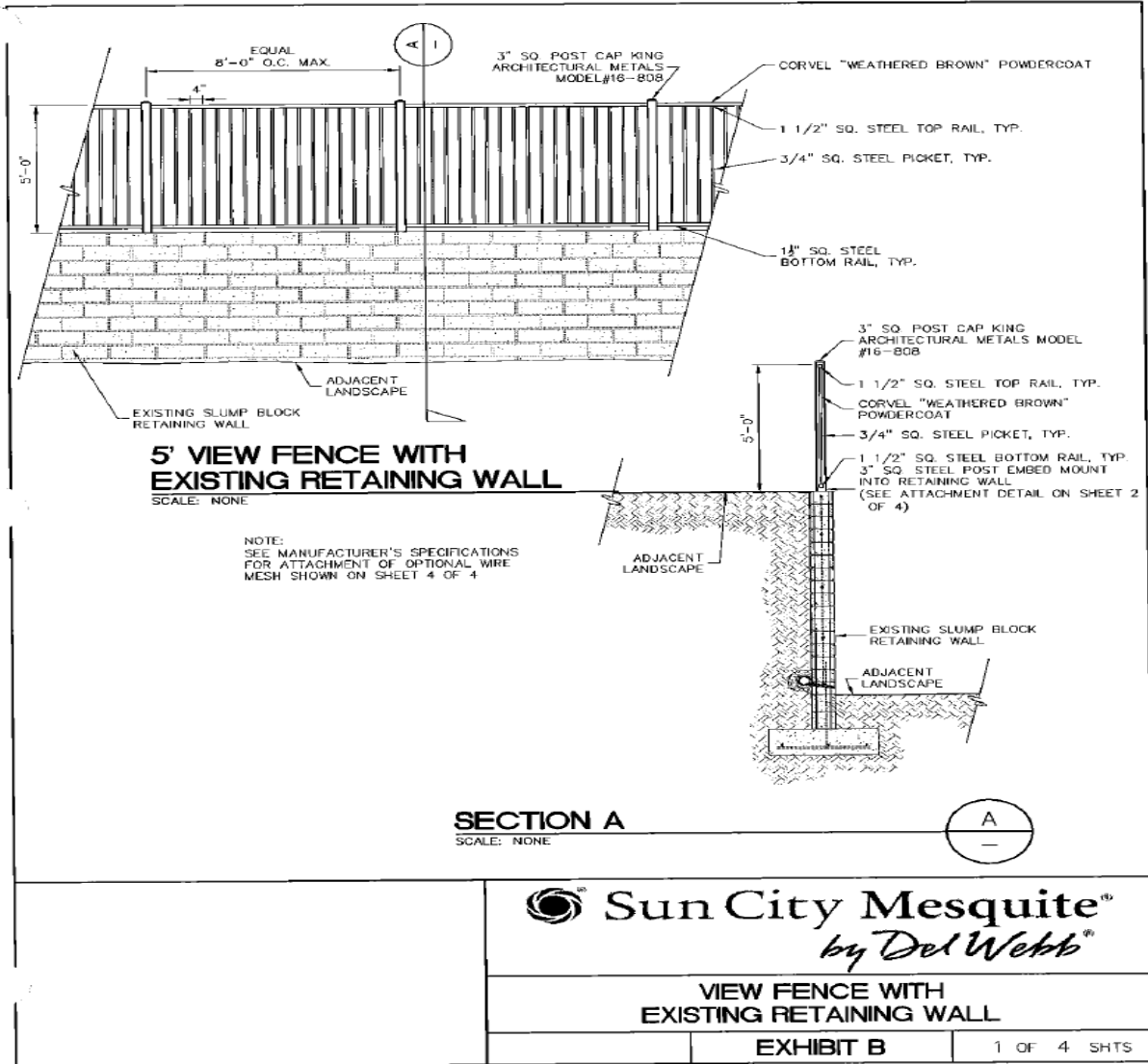


EXHIBIT B

FENCE SPECIFICATIONS VIEW FENCE INSTALLED ON RETAINING WALL

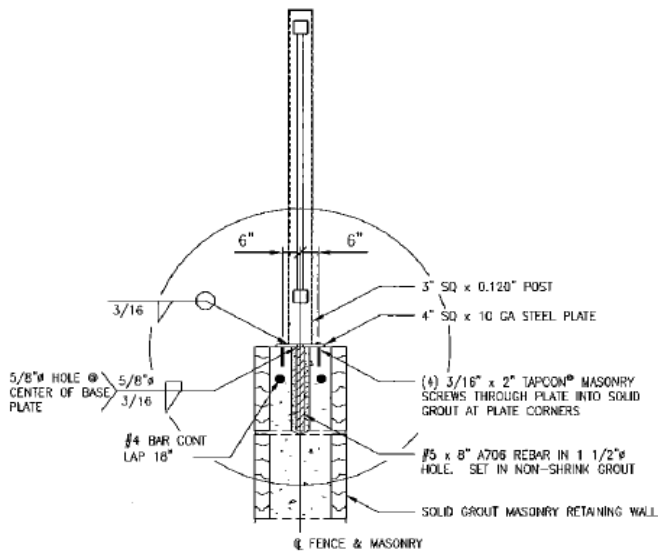


Fence Color – Powder Coat Royal Brown

Signature: _____

EXHIBIT B

FENCE SPECIFICATIONS VIEW FENCE INSTALLED ON RETAINING WALL



VIEW FENCE ATTACHMENT DETAIL
SCALE: NONE

GUARDRAIL MATERIAL NOTES

1. REINFORCING STEEL TO CONFORM TO ASTM A706. ALL WELDING OF REINFORCING STEEL TO CONFORM TO THE AMERICAN WELDING SOCIETY STANDARDS FOR REINFORCING STEEL.
2. STEEL TUBING SHALL BE C1010. THE SIZES SHALL BE AS SHOWN ON THE DRAWING WITH THE TUBE THICKNESS OF 0.065" FOR ALL SQUARE TUBES. UNO, THE MINIMUM YIELD STRENGTH (Fy) SHALL BE 28,000 PSI.
3. GROUT USED FOR EMBEDDING THE CENTER BAR SHALL BE HIGH-STRENGTH, NON-SHRINK GROUT INSTALLED IN ACCORDANCE WITH THE MANUFACTURER'S STANDARD WRITTEN INSTRUCTIONS.
4. TAPCON SCREWS SHALL BE AS MANUFACTURED BY ILLINOIS TOOL WORKS, INC., BUILD EX DIVISION AND CONFIRMING TO ICBO REPORT NO. 3370. INSTALLATION SHALL BE IN ACCORDANCE WITH THE MANUFACTURER'S INSTRUCTIONS AND PER THE ICBO REPORT.


Sun City Mesquite[®]
by Del Webb[®]

**VIEW FENCE WITH
EXISTING RETAINING WALL**

EXHIBIT B

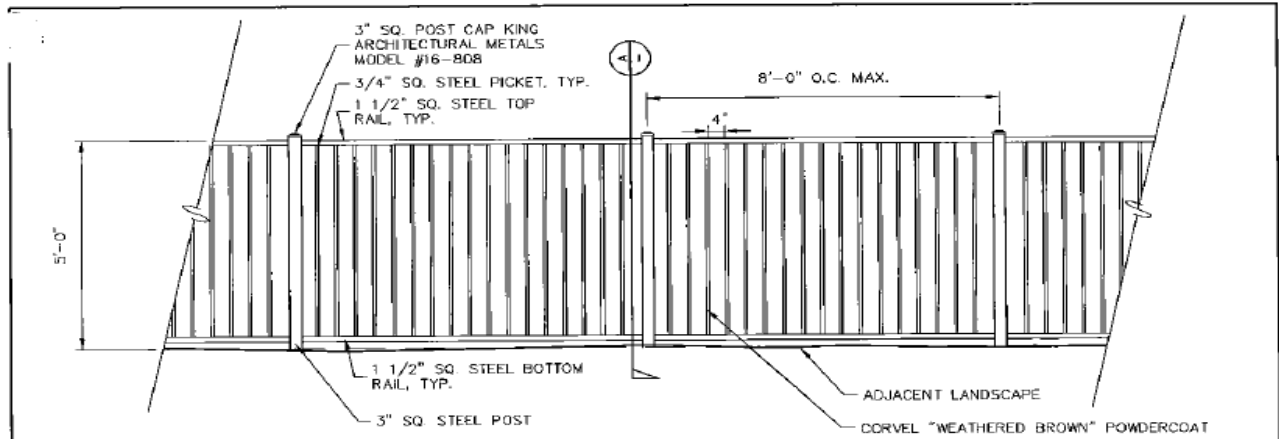
2 OF 4 SHTS

Fence Color – Powder Coat Royal Brown

Signature: _____

EXHIBIT C

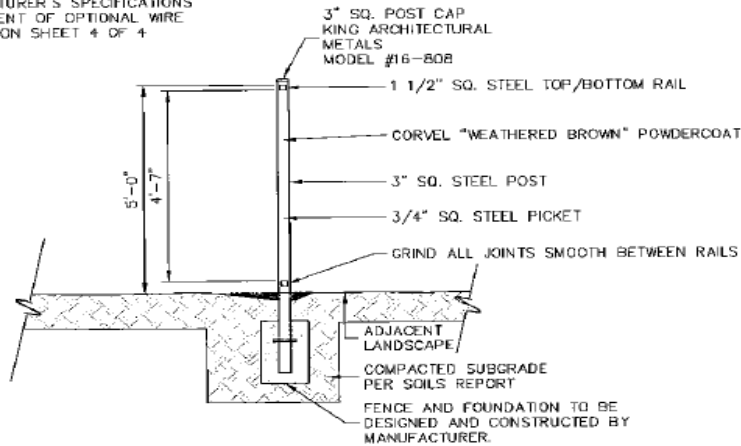
FENCE SPECIFICATIONS VIEW FENCE



5' VIEW FENCE WITHOUT EXISTING RETAINING WALL

SCALE: NONE


NOTE:
SEE MANUFACTURER'S SPECIFICATIONS
FOR ATTACHMENT OF OPTIONAL WIRE
MESH SHOWN ON SHEET 4 OF 4



SECTION A

SCALE: NONE



 Sun City Mesquite[®]
by Del Webb[®]

VIEW FENCE WITHOUT
EXISTING RETAINING WALL

EXHIBIT C

3 OF 4 SHTS

Fence Color – Powder Coat Royal Brown

Signature: _____